



# TAKLIMAT SEBUT HARGA (TEKNIKAL)

KERJA-KERJA MEMBEKAL,  
MEMASANG, MENGUJI  
TERIMA DAN MENTAULIAH  
CENTRALIZED ELECTRONIC  
BULLETIN BOARD (CEBB) DI  
PUTRAJAYA

(NO SEBUT HARGA :  
PPJ/JK/SH(S)/11/2020)



## SCOPE OF WORK

The Successful Contractor shall diligently and professionally undertake the supply, installation, testing and commissioning of Centralized Electronic Bulletin Board (CEBB) system consist of hardware, content management system application and any related accessories and cabling to ensure the system is in compliance to the Perbadanan system and ICT security requirement.

The scope of Successful Contractor shall generally include the following:.

- A. Supply , Install, Testing and Commissioning Twenty-Five (25) units of 55” Indoor Digital Signage (500 nit) c/w built in player (SoC)
- B. Supply, Install, Testing and Commissioning Nine (9) units of 55’ Indoor Digital Signage (700 nit) c/w built in player (SoC)
- C. Supply, Install, Testing and Commissioning Thirty-Four (34) units Digital Signage Player Licence
- D. Design, Supply and Install Twelve (12) units Vertical Enclosure for Display Panel . The Successful Contractor shall provide and include all necessary Engineering Services, Civil Works,Electrical works and Cabling works stated in the bill of quantity
- E. Design, Supply and Install Twenty-Two (22) units Wall/Ceiling/Pole Mount Bracket. The Successful Contractor shall provide and include all necessary Engineering Services, Civil Works, Electrical works and Cabling works stated in the bill of quantity.



F. Supply, Install , Testing and Commissioning Three (3) units Indoor Access Point c/w WLAN Controller licence and all related accessories required. The Successful Contractor shall provide and include all necessary Engineering Services, Civil Works,Electrical works and Cabling works for the three (3) units Indoor Access Point Installation. The new access point shall compatible with existing Perbadanan WLAN Controller.

G. Supply, Install, Testing and Commissioning 4 units of Fiber Media Converter (FMC)

H. Migration of the existing Content Management System (CMS) to New HCI Server – Primary & Secondary

I. Network Cabling Works

J. Deliver Technical Training

K. Electrical Works

L. Documentation Preparation

---

**WORK  
DURATION**

The Successful Contractor shall complete all Supply, Install, Testing and Commissioning work within Six (6) months from the date of commencement date.

---

The system warranty period shall commence on the Commissioning Date and shall be in the period of eighteen (18) months.

---



---

**DURING  
WARRANTY  
PERIOD**

The scope shall cover monitoring and corrective work. The successful contractor shall provide comprehensive warranty for all parts, labor, structure, mechanical and electrical services, service system (hardware and software updates) and other services related to the proposed system.

---

The successful contractor shall require to respond , acknowledge and restore faults for any call at site within the time frame upon receipt of notification.

The successful contractor shall follow service level agreement during the warranty period.

---





## PROPOSED CEBB LOCATION

The Successful Contractor shall install the CEBB System as following : -

No.	Location Site	Quantity
1	Presint 1- Dataran Putra	2
2	Presint 3 – Kompleks Perbadanan Putrajaya	9
3	Presint 7 – Putrajaya Central	4
4	Presint 8 – Perpustakaan, Pasar Awam and Kelab Tasik Putrajaya	5
5	Presint 9 – Perpustakaan and Medan Selera	3
6	Presint 11 – Perpustakaan and Medan Selera	3
7	Presint 16 – Kompleks Kejiranan, Medan Selera and Pasar Awam	5
8	Presint 17 – Taman Warisan Pertanian	2
9	Presint 18 – Kompleks Futsal	1



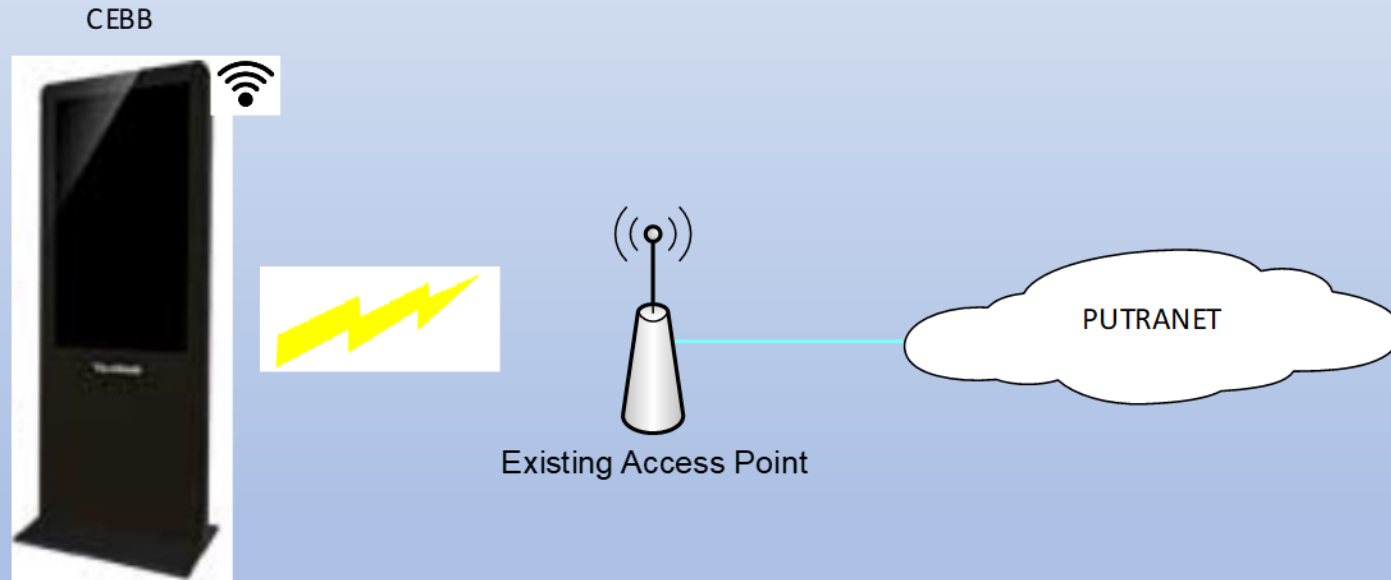
Item	500 NIT	700 NIT	Bracket	Enclosure	Existing AP	New AP	UTP Cabling	SSO	Fiber connection	Panel
<b>1 Presint 1-Dataran Putra</b>										
Selera Putra	1	-	-	1	√	-	-	1	-	1
Souq	1	-	-	1	√	-	-	1	-	1
<b>2 Presint 3- Kompleks Perbadanan Putrajaya</b>										
Lobby Blok AB	-	1	-	1	√	-	-	-	-	1
Lobby Blok CD	-	1	-	1	√	-	-	1	-	1
Cafe	1	-	1	-	√	-	-	-	-	1
Pusat Khidmat Pelanggan	1	-	-	1	√	-	-	1	-	1
Lobi Auditorium	2	-	2	-	√	-	-	-	-	2
Lobi Dewan Persidangan	1	-	-	1	√	-	-	1	-	1
Lobi Seri Melati	1	-	1	-	√	-	-	-	-	1
Lobi Seri Siantan	1	-	1	-	√	-	-	-	-	1
<b>3 Presint 7 - Putrajaya Sentral</b>										
Lobi	1	-	1	-	√	-	√	-	-	1
Terminal B1	-	1	1	-	-	-	-	1	-	1
Terminal B2	-	1	1	-	-	2	-	1	2	1
Terminal B3	-	1	1	-	-	-	-	1	-	1
<b>4 Presint 8</b>										
Pasar Awam	-	1	1	-	√	-	-	1	-	1
Perpustakaan	1	-	-	1	√	-	-	1	-	1
Medan Selera Presint 8	2	-	2	-	√	-	-	2	-	2
Kelab Tasik Putrajaya Presint	-	1	-	1	√	-	-	1	-	1
<b>5 Presint 9</b>										
Perpustakaan	1	-	1	-	√	-	-	1	-	1
Medan Selera P9	-	2	-	2	√	-	-	2	-	2
<b>6 Presint 11</b>										
Perpustakaan	1	-	-	1	√	-	-	1	-	1
Medan Selera Presint 11	2	-	2	-	√	-	-	2	-	2
<b>7 Presint 16</b>										
Medan Selera Presint 16	2	-	2	-	√	-	-	2	-	2
Lobi Dewan	1	-	-	1	√	-	-	-	-	1
Perpustakaan	1	-	1	-	√	-	-	1	-	1
Pasar Awam	1	-	1	-	-	1	√	1	-	1
<b>8 Presint 17 - Taman Warisan Pertanian</b>										
Penangghah	2	-	2	-	√	-	-	2	-	2
<b>9 Presint 18-Kompleks Futsal</b>										
Pejabat	1	-	1	-	√	-	-	1	-	1
<b>Total</b>	<b>25</b>	<b>9</b>	<b>22</b>	<b>12</b>	<b>0</b>	<b>3</b>	<b>0</b>	<b>26</b>	<b>2</b>	<b>34</b>

## EQUIPMENT LIST SCHEDULE



# SCHEMATIC DIAGRAM FOR CONNECTION OF EXISTING WIRELESS ACCESS POINT

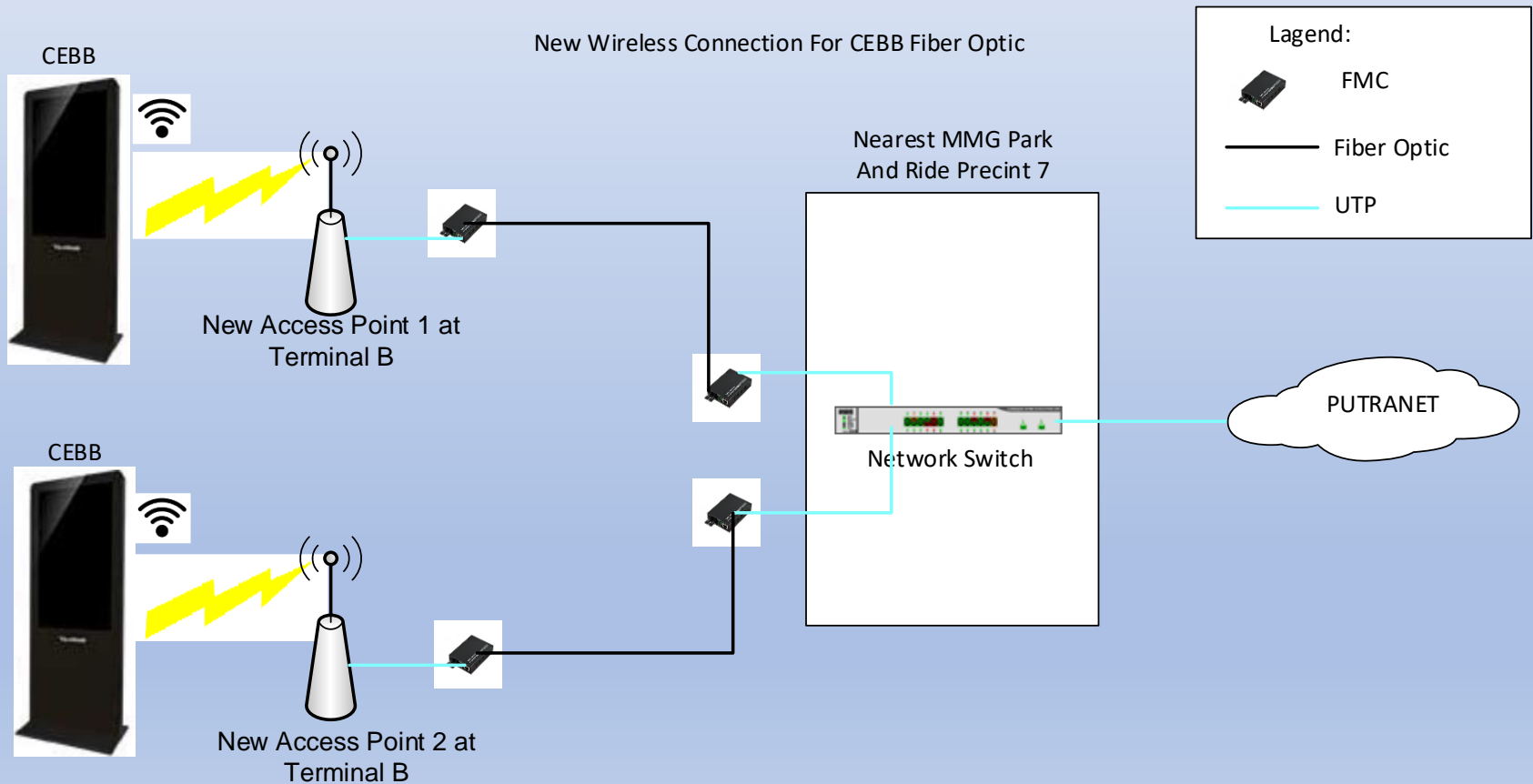
Existing Wireless Connection For CEBB







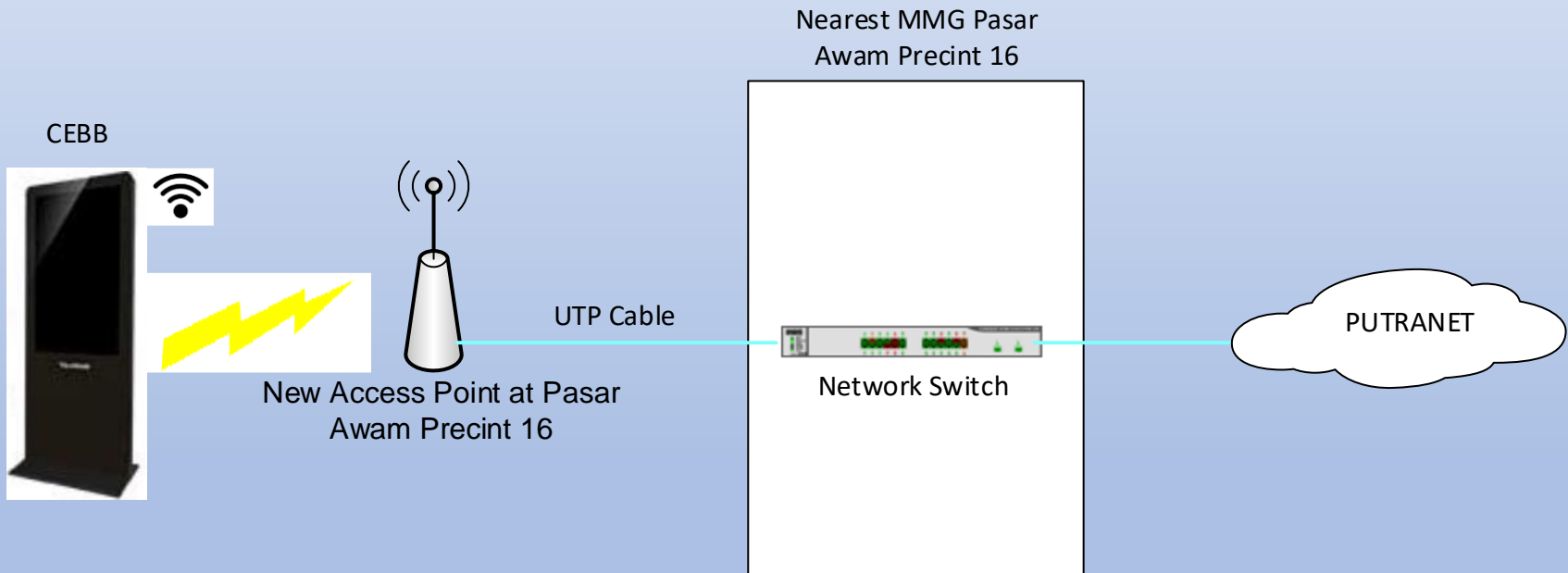
# SCHEMATIC DIAGRAM OF NEW WIRELESS CONNECTION FOR FIBER OPTICS AT PUTRAJAYA CENTRAL Presint 7





# SHCEMATIC DIAGRAM FOR NEW ACCESS POINT CONNECTION AT PASAR AWAM PRECINT 16

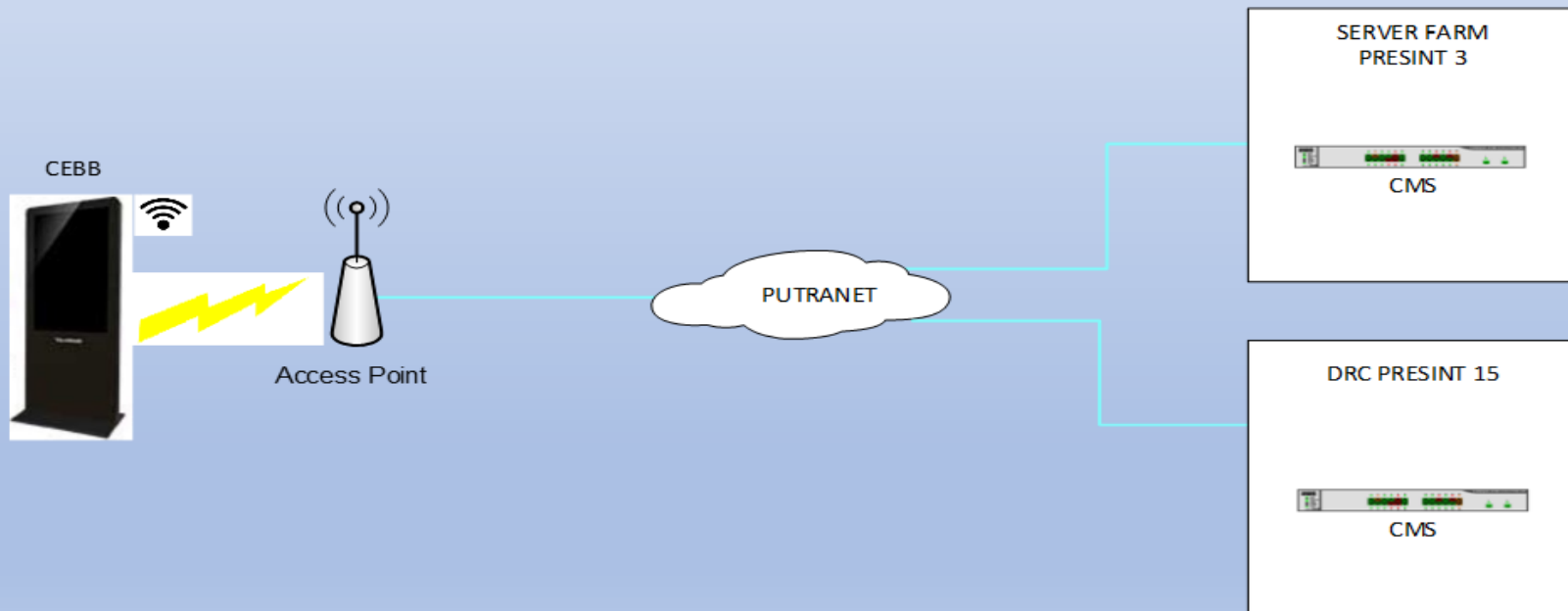
Connection to New Access Point





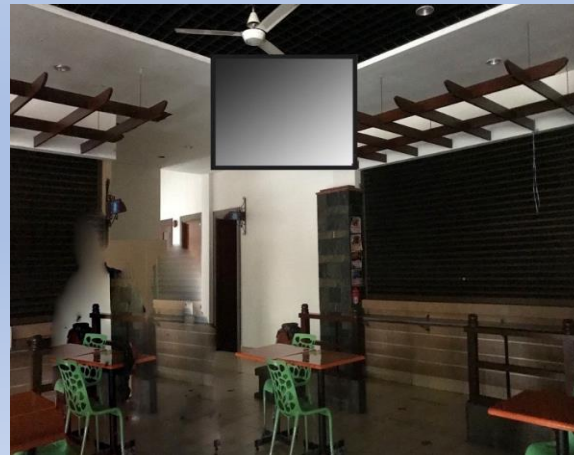
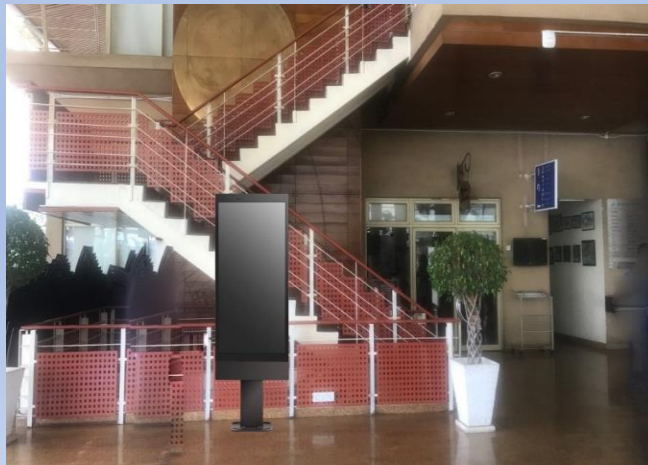
# SCHEMATIC DIAGRAM FOR CONNECTION TO CONTENT MANAGEMENT SYSTEM (CMS)

Connection to Content Management System (CMS)





# PROPOSE LOCATION OF CEBB INSTALLATION (PART)





TERIMA KASIH,  
SEMOGA  
BERJAYA